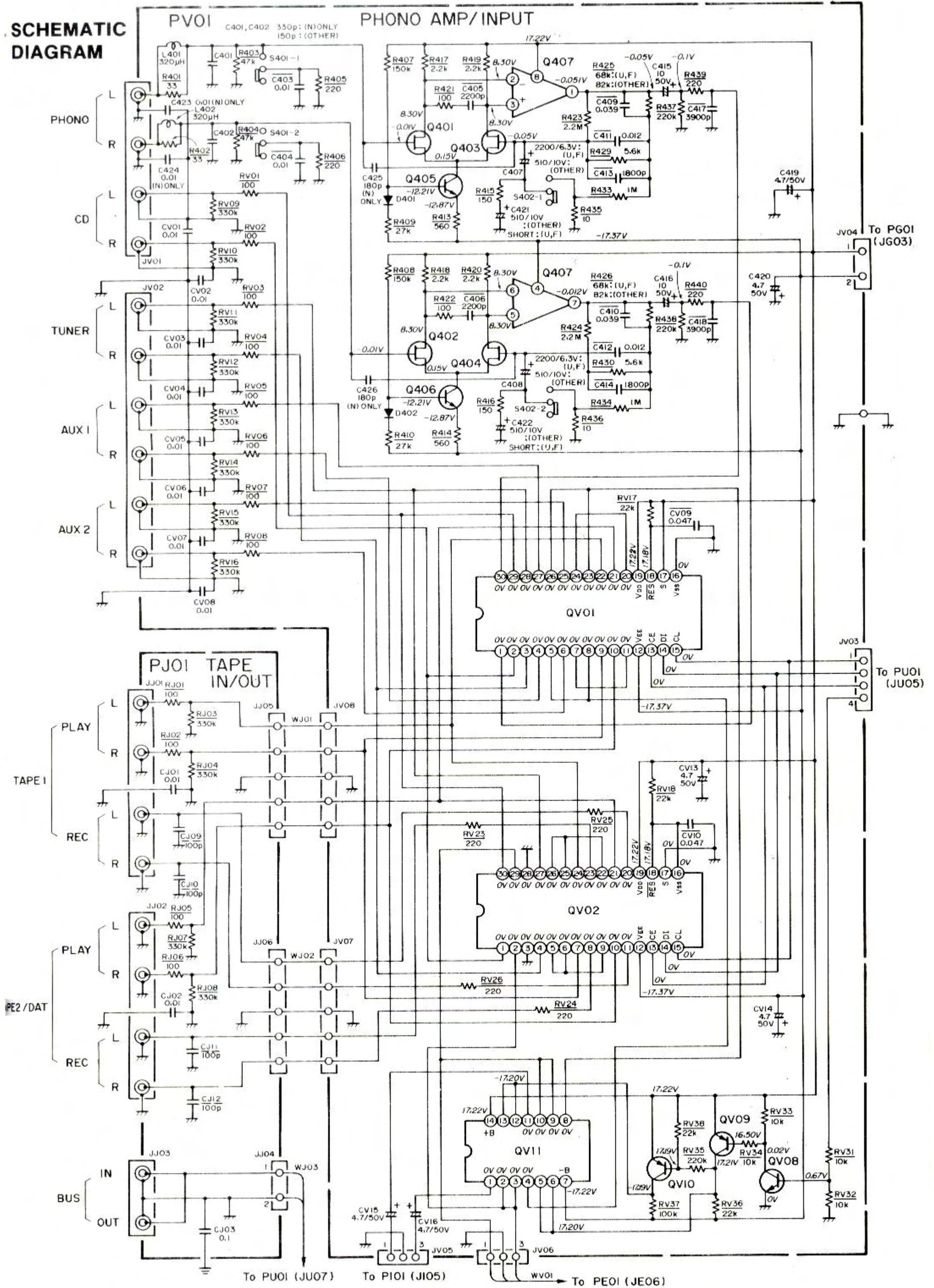
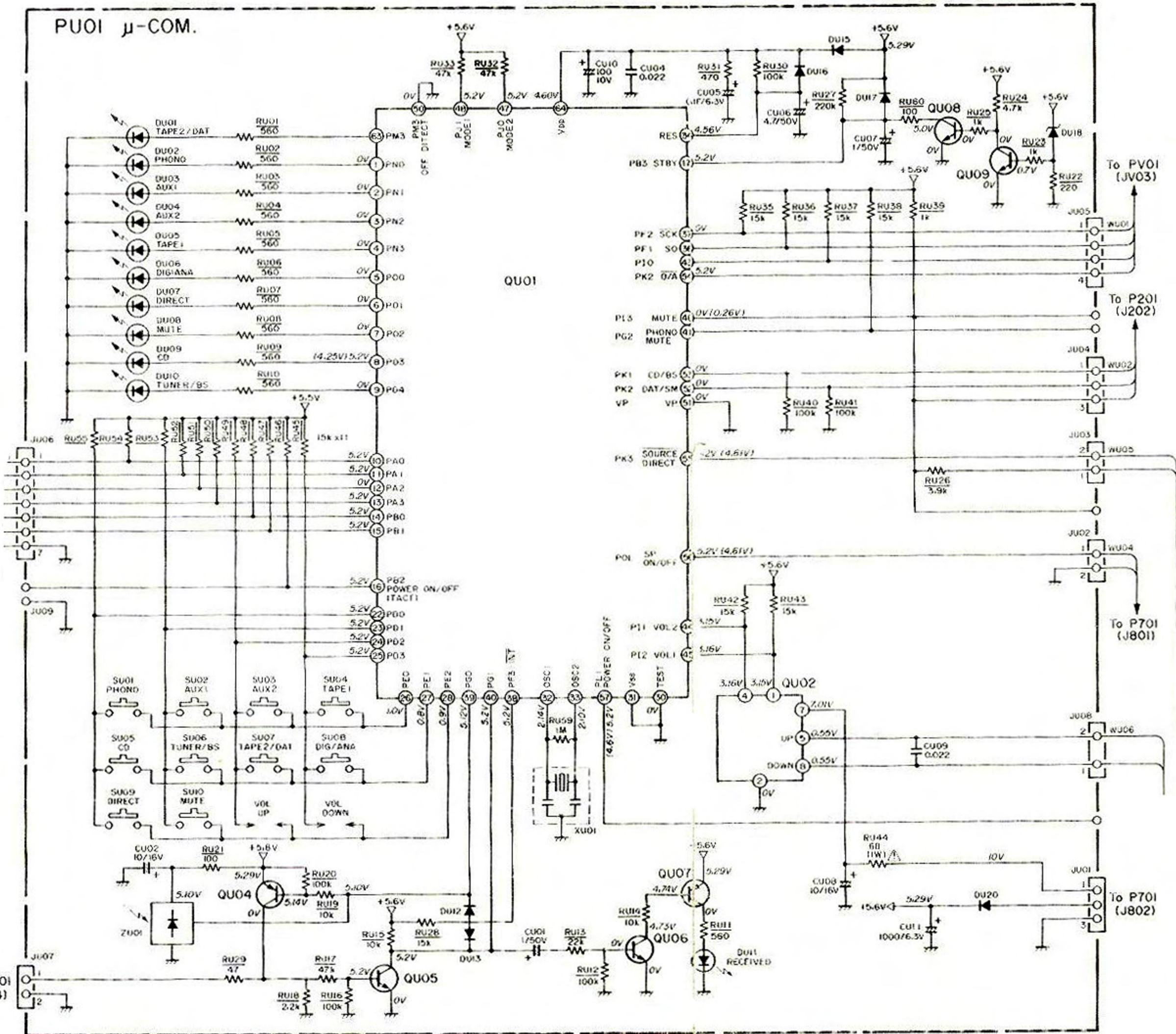


**SCHEMATIC
DIAGRAM**



PU01 μ -COM.



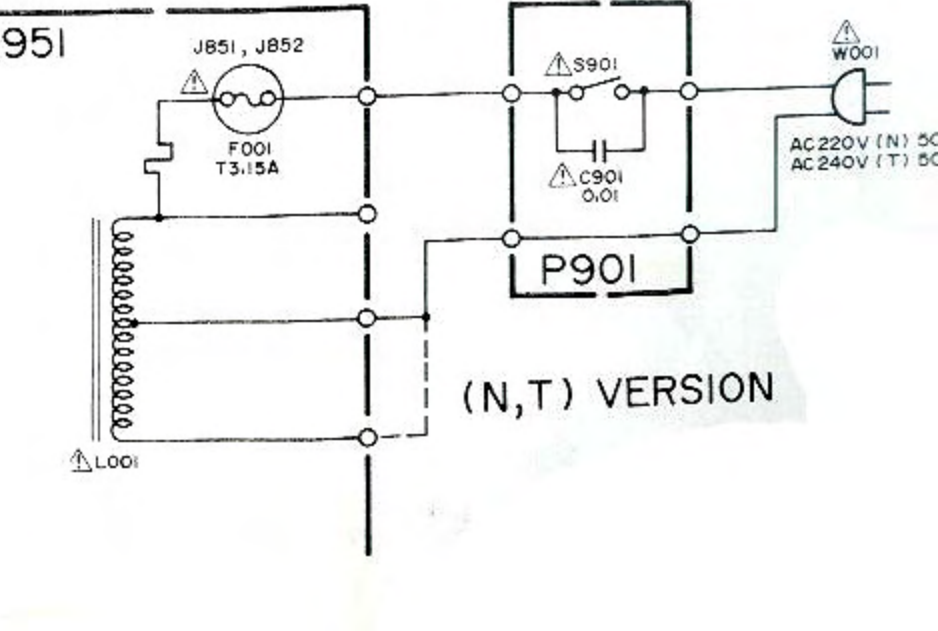
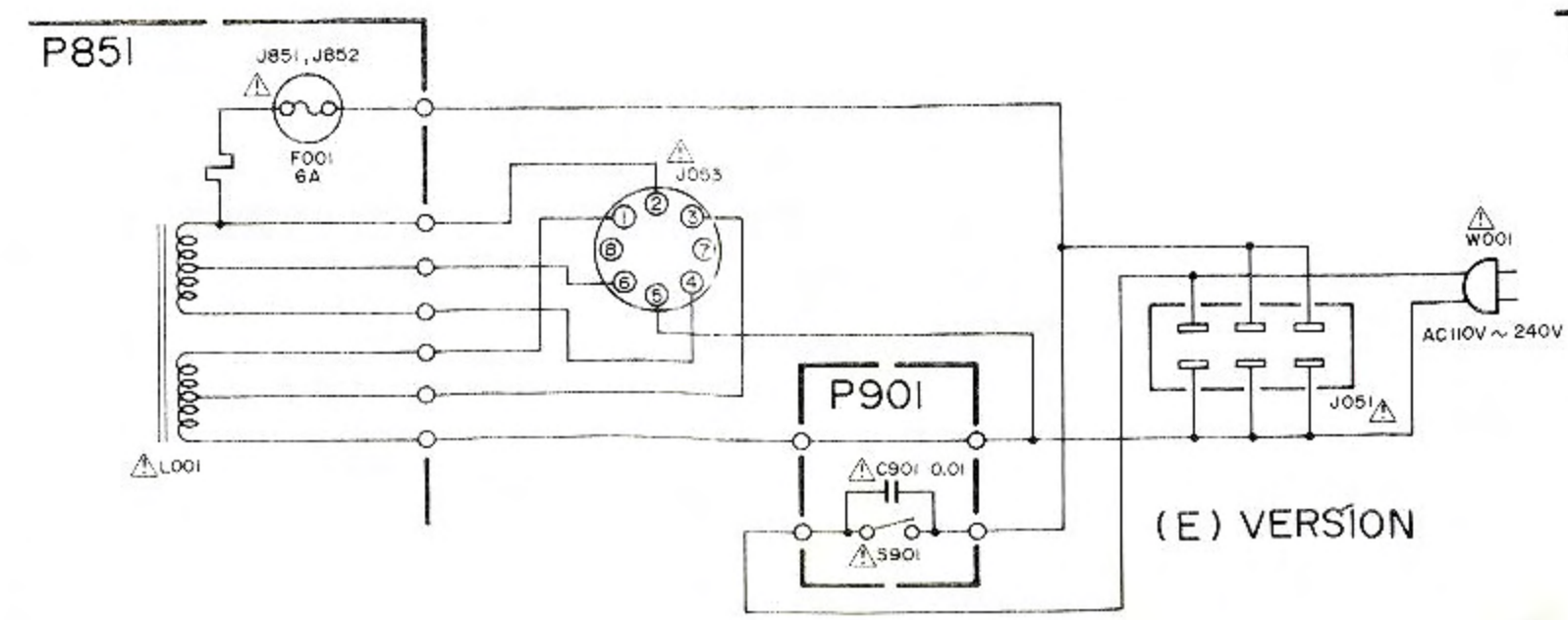
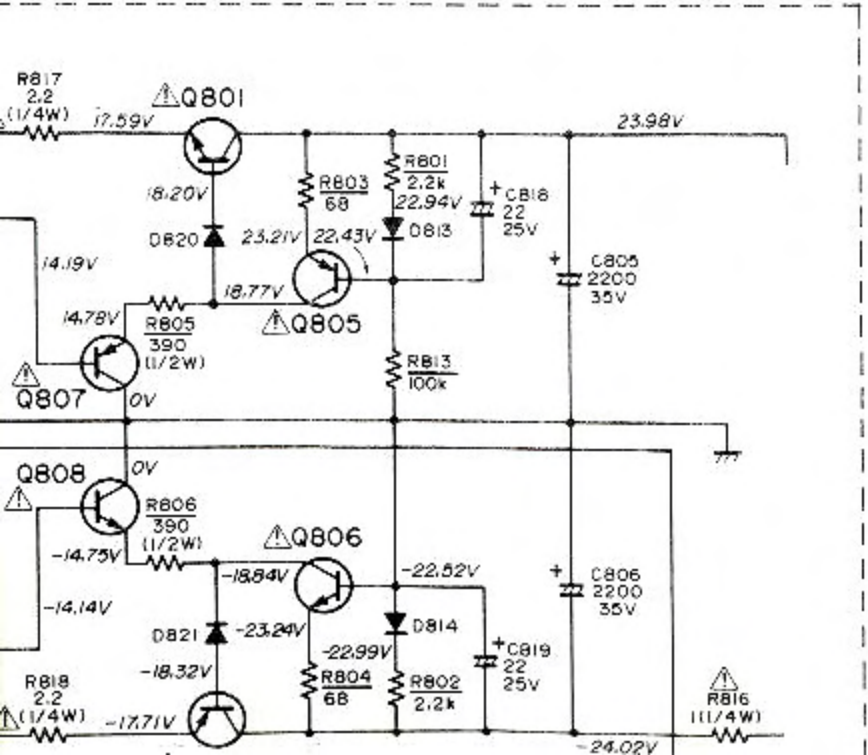
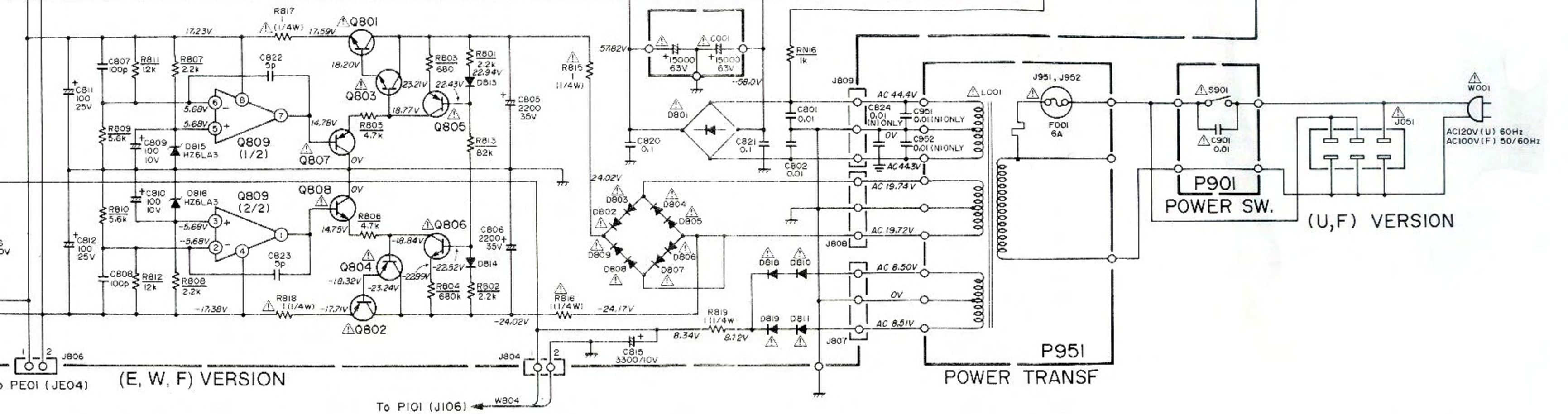
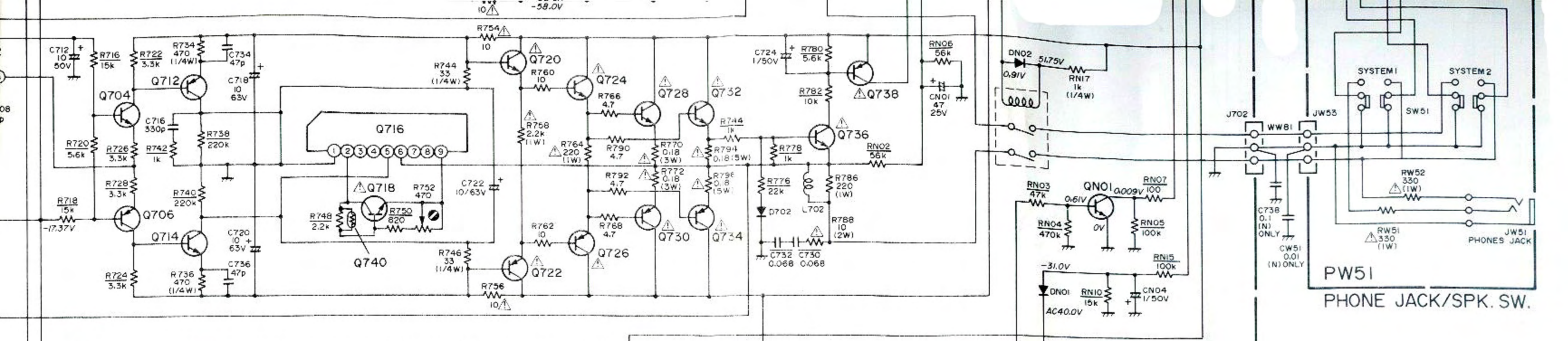
QU01

To PV01 (JV03)

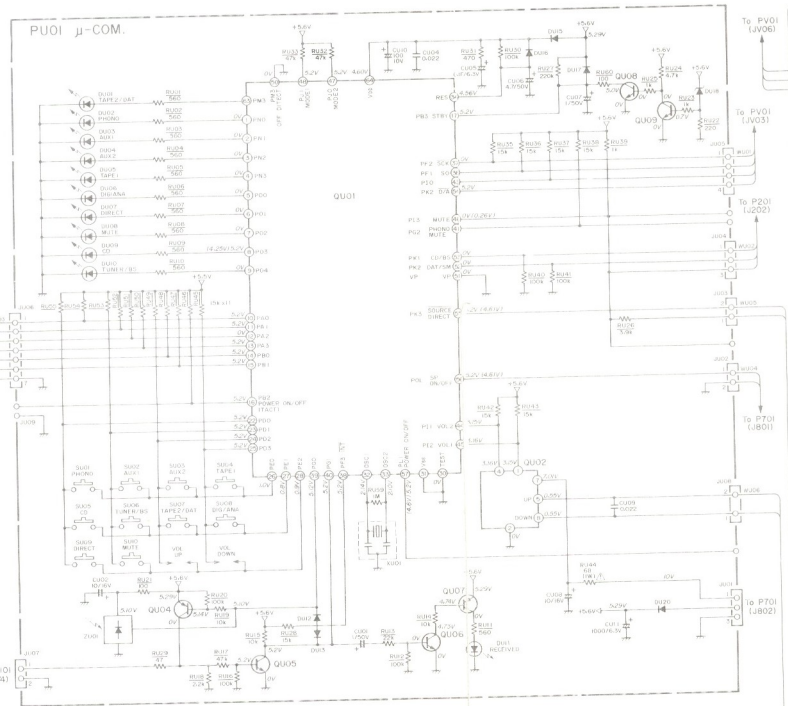
To P201 (J202)

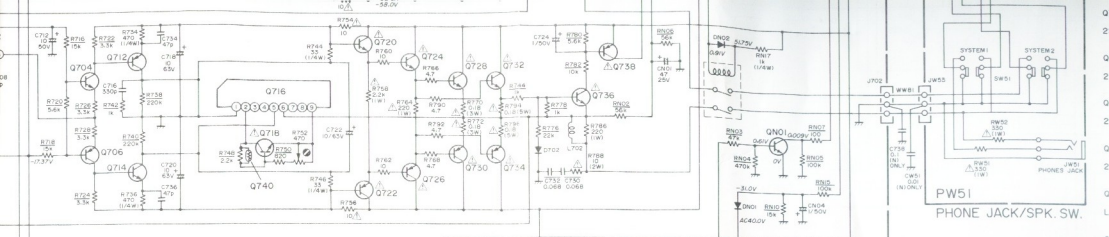
To P701 (J801)

To P701 (J802)

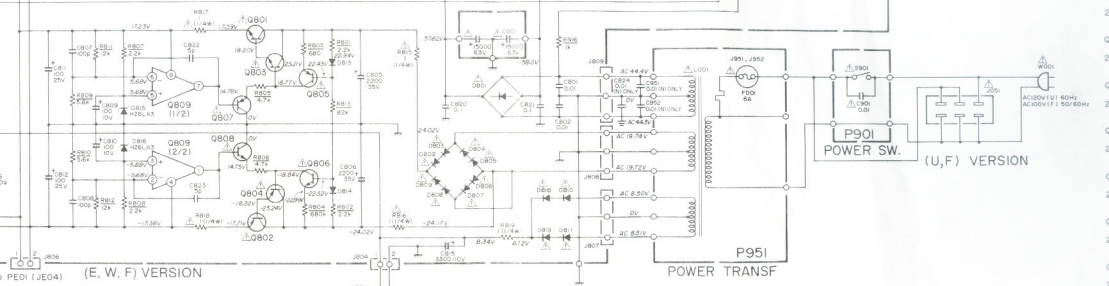


PU01 μ -COM.





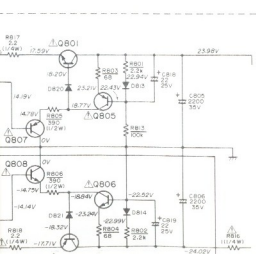
PW51
PHONE JACK/SPK. SW.



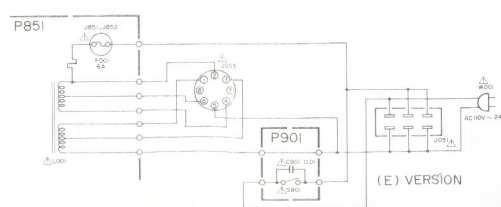
P901
POWER SW.

P951
POWER TRANSF

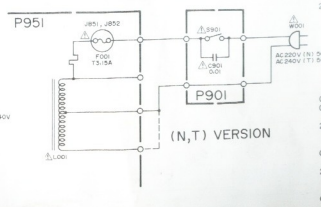
(U,F) VERSION



(E, W, F) VERSION

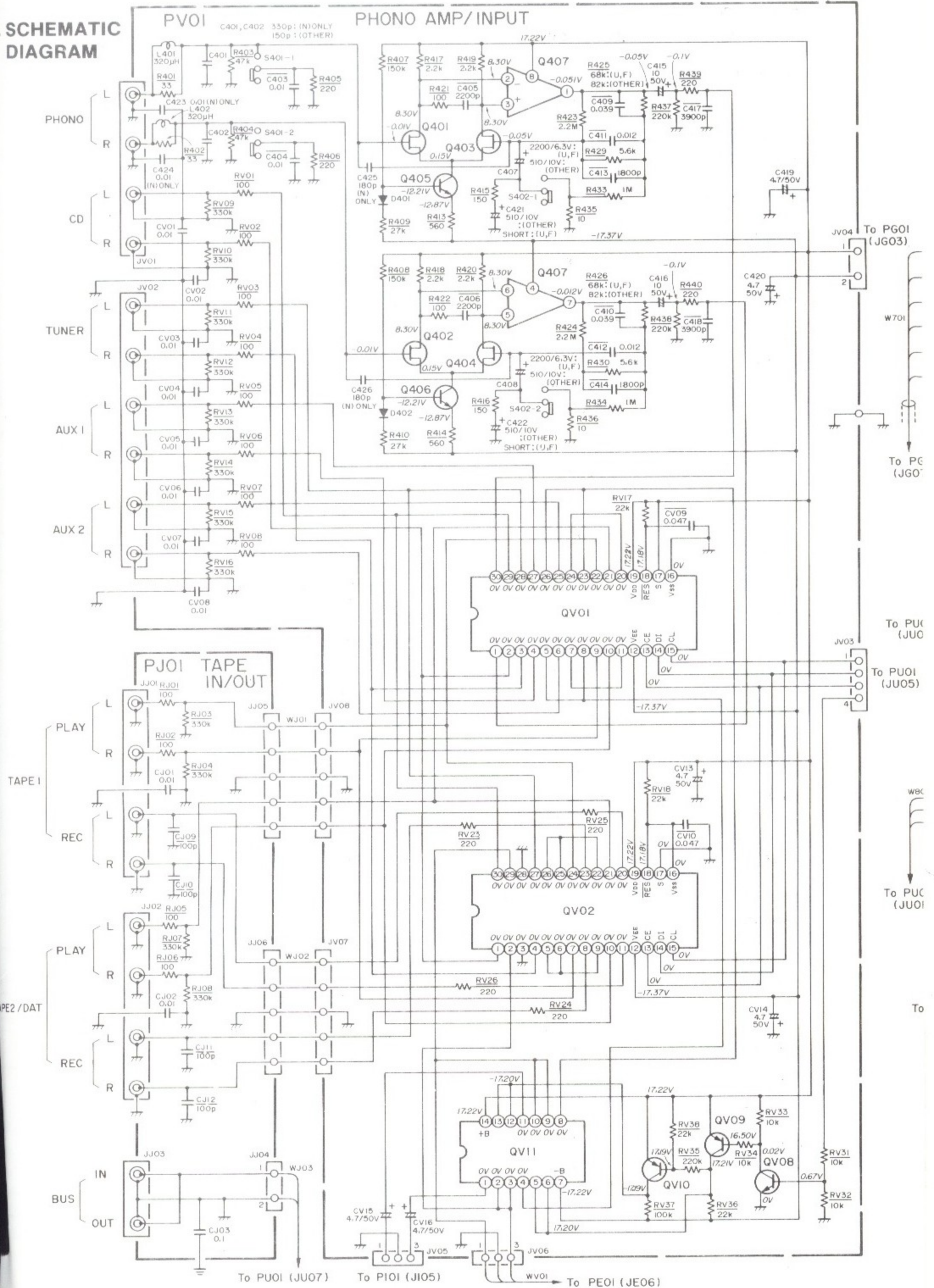


(E) VERSION



(N, T) VERSION

1. SCHEMATIC DIAGRAM



PU01 μ -COM.

